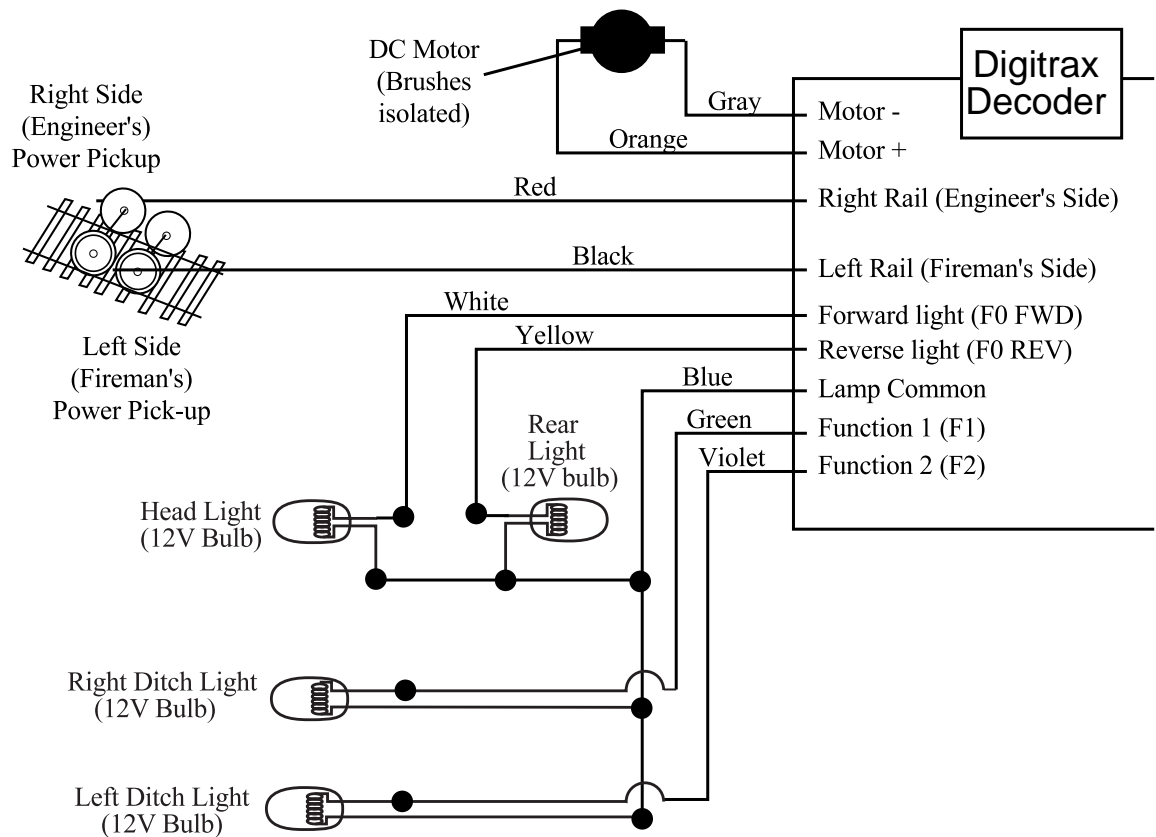


Setting Up Ditch Lights with **Digitrax** FX Decoders



CV Numbers and Values for Great Ditch Light FX

CV Number	CV Value	Effect
49	00 or 68 (104 decimal)	00=no effect, 68=Rule 17 on head light & no ditch lights in reverse
50	00 or 78 (120 decimal)	00=no effect, 78=Rule 17 on rear light & no ditch lights in reverse
51	6A (106 decimal)	Right ditch light, directional F0 & F2 must be ON for this to operate
52	6b (107 decimal)	Left ditch light, directional F0 & F2 must be ON for this to operate
62	c4 (196 decimal)	High keep-alive for lamps, rate 4 gives approx. 1 second FX effect rate
63	40 (64 decimal)	5 second ditch light holdover after F2 is turned OFF

Using 1.5 Volt Bulbs or LEDs

See Section 6.9.7 of the Digitrax Decoder User Manual for more information about lamp selection for prototypical lighting results..

If you use 1.5 V bulbs, you must install a current setting resistor with a minimum value of 100 ohms for each bulb.

Typically a 560 ohm 1/4 watt resistor works well for a grain of rice bulb and a 250 ohm 1/4 watt resistor works well for a grain of wheat bulb.

Lower resistance values will increase the lamp brightness.

If you use LED's be sure the polarity is correct when you hook them up & install a current setting resistor for each LED. Typically a 680 ohm 1/4 watt resistor is appropriate for most LEDs. We do not recommend using LEDs with FX effects because they don't give realistic lighting effects.